

DH-SD59212S/220S/230S-HN

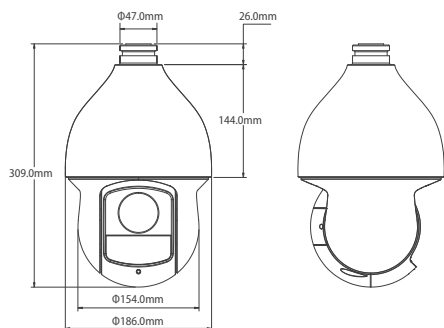
2Megapixel Full HD 12x/20x/30x Network IR PTZ Dome Camera



Features

- 12x/20x/30x optical zoom
- H.264 & MJPEG dual-stream encoding
- Max. 25/30fps@1080P(1920×1080) & 50/60fps@720P resolution
- DWDR, Day/Night(ICR), Ultra DNR, Auto iris, Auto focus
- Multiple network monitoring: Web viewer, CMS(DSS/PSS) & DMSS
- Max 400°/s pan speed, 360° endless pan rotation
- Up to 300 presets, 5 auto scan, 8 tour, 5 pattern
- Built-in 2/1 alarm in/out
- Support intelligent 3D positioning with DH-SD protocol
- Micro SD memory, IP66, POE+
- IR Distance up to 100m(AC24V)/ 80m(DC12V)

Dimensions (mm)



Accessories



PFB300S PFA110 Power Supply

Accessories(optional)



PFB300C PFA112 PFA113 PFA120 PFA150 PFA151

Technical Specifications

Model	DH-SD59212S-HN	DH-SD59220S-HN	DH-SD59230S-HN
Camera			
Image Sensor	1/2.8" Exmor CMOS		
Effective Pixels	1944(H)×1092(V), 2Megapixels		
Scanning System	Progressive		
Electronic Shutter Speed	1/3 ~ 1/30,000s		
Min. Illumination	Color: 0.05Lux@F1.6; B/W: 0.005Lux@F1.6		
S/N Ratio	More than 55dB		
Camera Features			
Day/Night	Auto(ICR) / Color / B/W		
Backlight Compensation	BLC / HLC / DWDR (Digital WDR)		
White Balance	Auto, ATW, Indoor, Outdoor, Manual		
Gain Control	Auto / Manual		
Noise Reduction	Ultra DNR (2D/3D)		
Privacy Masking	Up to 24 areas		
Digital Zoom	16x		
Lens			
Focal Length	5.1mm~61.2mm (12x Optical zoom)	5.5mm ~ 110mm (20x Optical zoom)	4.3mm~129mm (30x Optical zoom)
Max Aperture	F1.6~ F3.0	F1.6 ~ F3.5	F1.6~ F5.0
Focus Control	Auto / Manual		
Angle of View	H: 51.3° ~ 4.64°	H: 51.0° ~ 2.60°	H: 65.1° ~ 2.34°
Close Focus Distance	100mm~ 1000mm		
PTZ			
Pan/Tilt Range	Pan: 0° ~ 360° endless; Tilt: -15° ~ 90°, auto flip 180°		
Manual Control Speed	Pan: 0.1° ~ 300° /s; Tilt: 0.1° ~ 200° /s		
Preset Speed	Pan: 400° /s; Tilt: 300° /s		
Preset	300		
PTZ Mode	5 Pattern, 8 Tour, Auto Pan, Auto Scan		
Speed Setup	Human-oriented focal length/ speed adaptation		
Power up Action	Auto restore to previous PTZ and lens status after power failure		
Idle Motion	Activate Preset/ Pan/ Scan/ Tour/ Pattern if there is no command in the specified period		
IR Distance	80m (DC12V), 100m (AC24V)		
Video			
Compression	H.264 / MJPEG		
Resolution	1080P(1920×1080)/ 720P(1280×720) / D1(704×576/ 704×480) / CIF(352×288/352×240)		
Frame Rate	Main Stream	1080P/ D1 (1 ~ 25/30fps), 720P(1~50/60fps)	
	Sub Stream	D1/CIF(1 ~ 25/30fps)	
Bit Rate	H.264: 448K ~ 8192Kbps, MJPEG: 5120K ~ 10240Kbps		
Audio			
Compression	G.711a / G.711Mu(32kbps)/ PCM(128kbps)		
Interface	1/1 channel In/Out		
Network			
Ethernet	RJ-45 (10/100Base-T)		
Protocol	IPv4/ IPv6, HTTP, HTTPS, SSL, TCP/IP, UDP, UPnP, ICMP, IGMP, SNMP, RTSP, RTP, SMTP, NTP, DHCP, DNS, PPPOE, DDNS, FTP, IP Filter, QoS, Bonjour, 802.1x		
Compatibility	ONVIF PSIA CGI		
Max. User Access	20 users		
Smart Phone	iPhone, iPad, Android, Windows Phone		
Auxiliary Interface			
Memory Slot	Micro SD, Max 64GB		
Alarm	2/1 channel In/Out		
General			
Power Supply	AC24V/ DC12V(optimal), POE plus(802.3at)		
Power Consumption	DC12V: 13W, 20W (IR on)		
	AC24V: 13W, 23W (IR on)		
Working Environment	DC12V: -30°C ~ 60°C / Less than 90% RH		
	AC24V: -40°C ~ 70°C / Less than 90% RH		
Ingress Protection	IP66		
Dimensions	Φ186.0(mm)×309(mm)		
Weight	3.5kg		